

Mi-T-M[®] CORPORATION

8650 Enterprise Drive, Peosta IA 52068
563-556-7484 / Fax 563-556-1235

PARTS LIST FOR

HSE-1002-0M10 (AFTER SERIAL #15004675)

HSE-1502-0M10 (AFTER SERIAL #15006316)

HSE-2003-0M10 (AFTER SERIAL #15006268)

PUMP OIL GRADE:	Mi-T-M #AW-4085-0016
PUMP OIL CAPACITY:	11.2 oz
FUEL NOZZLE:	
HSE-1002/1502-0M10:	1.10 60°B Delavan
HSE-2003-0M10:	1.25 60°B Delavan
BTU INPUT:	
HSE-1002/1502-0M10:	186,000 / hour
HSE-2003-0M10:	207,000 / hour
PRESSURE NOZZLE SIZE:	
HSE-1002-0M10:	4.0
HSE-1502-0M10:	3.0
HSE-2003-0M10:	3.5



This Parts Listing has been compiled for your benefit. You can be assured your Mi-T-M® hot water pressure washer was constructed and designed with quality and performance in mind using over 25 years experience in the pressure washer business. Each component has been rigorously tested to insure the highest level of acceptance.

The contents of this Parts Listing are based on the latest product information available at the time of publication. Mi-T-M® reserves the right to make changes in price, color, materials, equipment, specifications or models at any time without notice.

WARNING

THIS IS A PROFESSIONAL HIGH PRESSURE, HOT WATER PRESSURE WASHER. CAUTION SHOULD BE OBSERVED WHEN USING OR REPAIRING THIS UNIT! READ AND FOLLOW THE SAFETY WARNINGS LISTED BELOW BEFORE ATTEMPTING ANY REPAIRS ON THIS PRESSURE WASHER!

SAFETY WARNINGS

1. NEVER alter or modify the equipment. Be sure any accessory items and system components being used will withstand the pressure developed. Use only genuine Mi-T-M® parts for repair of your pressure washer. Failure to do so can cause hazardous operating conditions and will VOID warranty.
2. NEVER make adjustments on machinery while the unit is connected to the power source. Turning over the machinery by hand during adjustment or cleaning might start the machinery, causing serious injury to the operator.
3. Know how to stop and bleed pressures quickly. Be thoroughly familiar with controls.
4. Before servicing the unit, turn unit off, relieve the water pressure and allow the unit to cool down. Do not make repairs while the unit is running. Service in a clean, dry, flat area. Block the wheels to prevent the unit from moving. Be especially careful to properly dispose of any flammable materials.
5. After testing the machine, DO NOT leave the pressurized unit unattended. Shut off the unit and release trapped pressure before leaving.

Table of Contents

SPECIFICATIONS 3

FLOW CHART 4

GENERAL THEORY OF OPERATION 5

FRAME ASSEMBLY 6

MOTOR/PUMP ASSEMBLY 8

MOTOR (850-0213, 850-0215, 850-0216) 10

HIGH PRESSURE PUMP (3-0071 & 3-0168) 12

UNLOADER (8-0470) 14

PRESSURE SWITCH (22-0171) 16

COIL DRAIN PLUG (850-0218) 18

HEAT EXCHANGER/BLOWER MOTOR 20

BOILER ASSEMBLY (850-0212) 22

GUN/WAND (850-0179) & ADJUSTABLE PRESSURE DUAL LANCE (850-0185) 24

FUEL TANK (850-0214) 26

FUEL PUMP (3-0020) 27

FUEL SOLENOID (44-0101) 27

CONTROL PANEL FOR HSE-1002/1502 28

CONTROL PANEL FOR HSE-2003 30

WIRE SCHEMATIC FOR HSE-1002/1502-0M10 32

WIRE DIAGRAM FOR HSE-1002/1502-0M10 33

WIRE SCHEMATIC FOR HSE-2003-0M10 34

WIRE DIAGRAM FOR HSE-2003-0M10 35

SPECIFICATIONS

HSE-1002/1502/2003-0M10

MODEL NUMBER	HSE-1002-0M10	HSE-1502-0M10	HSE-2003-0M10
Operating Pressure (PSI/Bar):	1000/70 (+/- 5%)	1500/103 (+/- 5%)	2000/138 (+/- 5%)
Water Volume (GPM/lpm):	2.0/ 7.6 (+/- 5%)	2.0/ 7.6 (+/- 5%)	2.8/ 10.6 (+/- 5%)
Outlet Water Temperature (F/C):	140 F/ 60 C (+/- 10 F) rise above inlet ambient (210 F/ 99 C maximum)		
Motor:	TEFC		
Horsepower	1.5	2.0	4.0
Phase	Single		
Voltage	120		240
Amps	13	17	17
High Pressure Pump:	Direct Driven, Oil Bath, Triplex Piston		
Oil Type	Mi-T-M Pump Oil #AW-4085-0016		
Oil Capacity (oz./liters)	11.2/0.33		
Plungers	Ceramic		
Manifold	Forged Brass		
Valves	Stainless Steel		
Unloader	Preset		
Heat Dump Valve	Relieves heated water during unloader bypass stage		
Detergent Injector:	Adjustable High Pressure		
Burner Fuel System:			
Fuel Type	No.1 or No.2 Fuel Oil, Diesel or Kerosene		
Fuel Capacity (Gal./liters)	4.0/15.1		
Fuel Filter/ Water Separator	Spin on (10 micron) filter/ E-Z water drain		
Fuel Pump	Two Line, Single Stage		
Fuel Pressure (PSI/ BAR)	145 /10		
Fuel Nozzle	1.10 60 B Delavan	1.25 60 B Delavan	
Fuel Consumption (GPH/ LPH)	1.33/ 5.0 Cont. Burning		1.48/ 5.54 Cont. Burning
Voltage	120		
Amps	2		
Heat Exchanger:	Vertical, Top fired, Dual Spiral Coil		
BTU Input	186,000	207,000	
Efficiency	86% with #2 Fuel Oil/ Diesel		
Smoke Density	0-3 per ASTM D2156		
Controls:			
On/ Off Switch	Industrial grade cam switch		
Pressure Switch	Shuts off burner fuel supply upon trigger release		
High Limit Switch	Shuts off burner fuel supply when outlet water temp. exceeds 210 F/ 99 C		
Fuel Solenoid:	120 Volt		240 Volt
Safety Relief:	Relieves excess system pressure		
Unit Net Weight (Lbs/Kg)	250/113	258/117	273/124
Unit Shipping Weight (Lbs/Kg)	373/169	381/173	396/179
Unit Net Dimension (In/Cm)	34Lx29Wx33H/ 86Lx74Wx84H		
Unit Shipping Dimension (In/Cm)	46.5Lx31.5Wx48.5H/118Lx80Wx123H		

GENERAL THEORY OF OPERATION

WATER FLOW: Connect a pressurized water source to the INLET GARDEN HOSE CONNECTION (1) and turn on the water supply. The water will flow through a WATER STRAINER (2) which has a clear inspection bowl.

The water then travels into the TRIPLEX HIGH PRESSURE PUMP (3) which has an UNLOADER (4) that bypasses the water when the trigger gun is closed. To protect the pump from heated water during this bypass stage, a HEAT DUMP VALVE (5) will open at 140°F/60°C allowing the heated water to escape. The Heat Dump Valve automatically resets when the water cools. The PRESSURE SWITCH (6) controls the fuel supply to the burner.

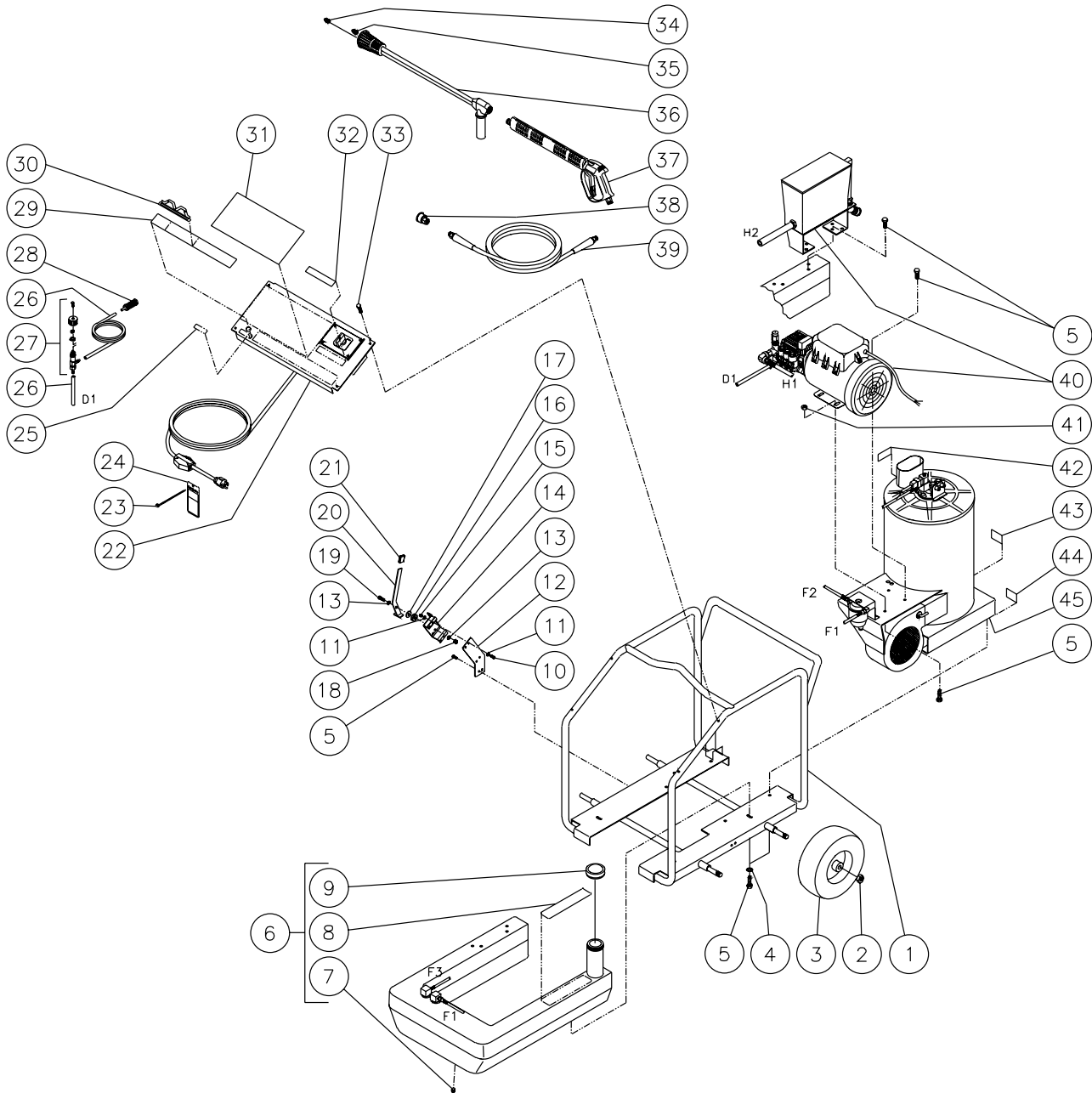
When using detergents, the solution passes through the DETERGENT STRAINER (7) located on the DETERGENT HOSE (8). The detergent solution then travels into the ADJUSTABLE LOW PRESSURE DETERGENT INJECTOR (9).

From there, the water may be allowed to flow out of the DRAIN PLUG (10) or through the HEAT EXCHANGER INLET (11) where it is heated when the burner is on. As the water exits the HEAT EXCHANGER OUTLET (12), it enters a safety system which protects the operator from danger. The safety system contains a HIGH TEMPERATURE LIMIT SWITCH (13) which senses the water temperature and shuts off the fuel supply to the burner if it gets too hot. If the unloader fails to bypass the water or the burner remains on when the trigger gun is closed, the SAFETY RELIEF (15) will relieve and allow water to exit safely.

The heated water then flows through the HIGH PRESSURE HOSE (16) and to the TRIGGER GUN ASSEMBLY (17) which allows the operator to control the water spray. When the trigger gun is open, the water flows through the ADJUSTABLE PRESSURE DUAL LANCE (18) and exits the NOZZLE (19).

FUEL FLOW: The Fuel Pump draws fuel from the FUEL TANK (20) through a replaceable FUEL FILTER/WATER SEPARATOR (21) and into the FUEL PUMP (22). Fuel exits the fuel pump, into a FUEL SOLENOID VALVE (23) which controls fuel flow to the FUEL NOZZLE (24) where it ignites and burns in the heat exchanger.

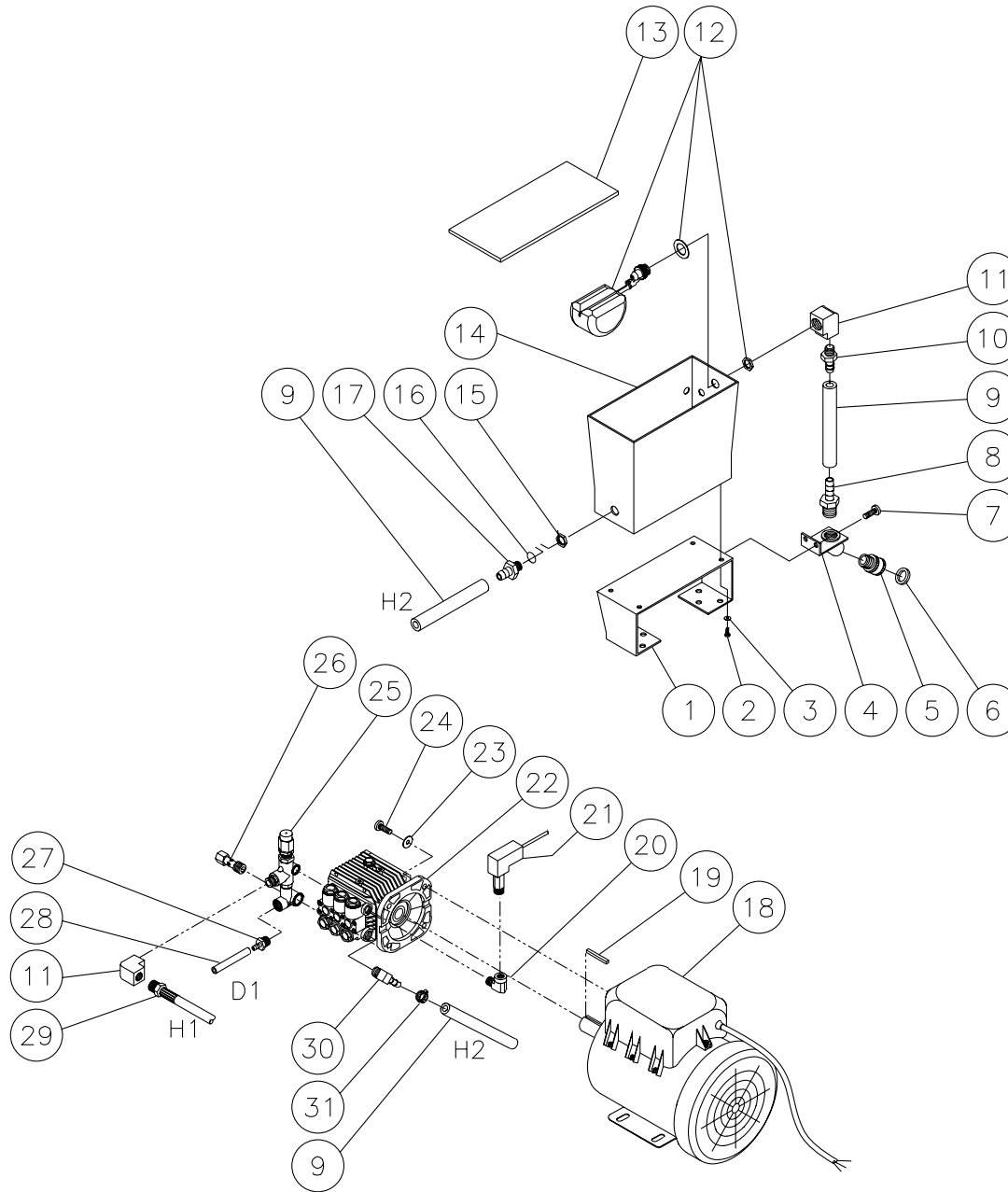
FRAME ASSEMBLY



FRAME ASSEMBLY							
REF. #	DESCRIPTION	PART #	QTY.	REF. #	DESCRIPTION	PART #	QTY.
1	Frame Assembly	5-0128A01	1	26	Hose *(Six Feet Required)	15-0021	1
2	Hex Jam Nut	30-0117	4	27	Detergent Valve	22-0226	1
3	Wheel	14-0017	4	28	Strainer w/ Check Valve	19-0056	1
4	Flatwasher	28-0022	8	29	Decal- Stripe	34-0502	1
5	Bolt	27-9524	18	30	Decal- Mi-T-M Logo	62-0087	1
6	Fuel Tank Assembly	850-0214	1	31	Decal- Warning/Caution/Operation (E/S) (See 34-9012)	N/A Sep.	1
7	Plug	23-0296	1	32	Decal- Die Cut 1002	34-0302	1
8	Decal-Do Not Use Gasoline (E/S) (See 34-9012)	N/A Sep.	1	-	Decal- Die Cut 1502	34-0825	1
9	Vented Fuel Cap	12-0033	1	-	Decal- Die Cut 2003	34-0551	1
10	Screw	27-0015	3	33	Bolt	27-9527	4
11	Washer	28-0002	6	34	Nozzle- 4060	18-0110	1
12	Brake Plate	20-0580A01	1	35	Nozzle- 1504 (HSE-1002)	18-0054	1
13	Washer	28-0003	2	-	Nozzle- 1503 (HSE-1502)	18-0053	1
14	Bracket	20-0546A01	1	-	Nozzle- 1503.5 (HSE-2003)	18-0254	1
15	Locknut	30-0155	3	36	Dual Lance	16-0327	1
16	Grommet	33-0366	1	37	Gun/ Lance Assembly	850-0179	1
17	Washer	28-0057	1	38	Screw Connect	17-0035	1
18	Locknut	30-0157	1	39	Hose Assembly	15-0146	1
19	Screw	27-0068	1	40	Motor/Pump/Float Tank Assembly (See Exploded Drawing)	N/A Sep.	1
20	Brake Handle Assembly	20-0552A01	1	41	Hex Nut	30-3023	3
21	Handle Grip	7-0170	1	42	Decal- Warning: Hot Surfaces (E/S) (See 34-9012)	34-0808	1
22	Control Panel (See Exploded Drawing)	N/A Sep.	1	43	Decal- Risk of Explosion (E/S) (See 34-9012)	34-0852	1
23	Cable Tie	33-0022	1	44	Data Plate	34-1138	1
24	Decal- Hang Tag	34-0417	1	45	Heat Exchanger Assembly (See Exploded Drawing)	N/A Sep.	1
25	Decal- Detergent Valve (See 34-9012)	N/A Sep.	1		Safety Decal Kit (Includes 8, 25, 31, 42-43)	34-9012	

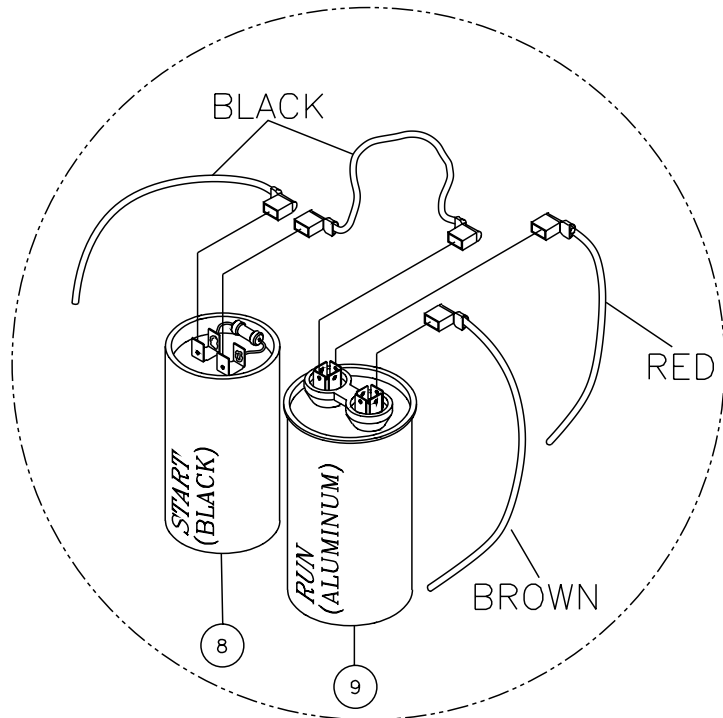
*Must Order in One Foot Lengths

MOTOR/PUMP ASSEMBLY

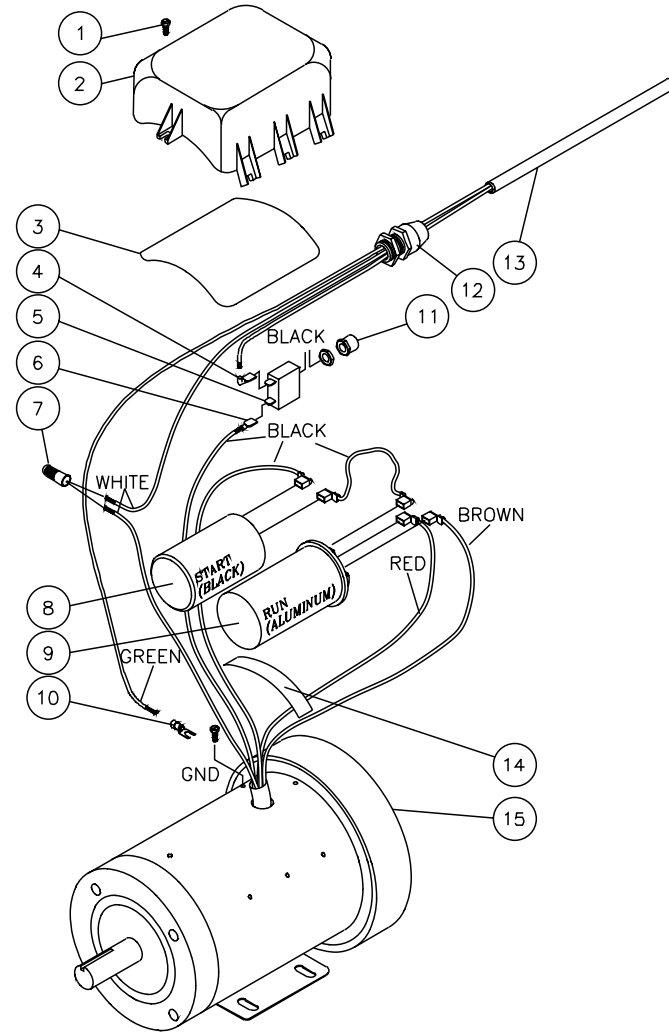


MOTOR/PUMP ASSEMBLY							
REF. #	DESCRIPTION	PART #	QTY.	REF. #	DESCRIPTION	PART #	QTY.
1	Float Tank Bracket	20-0415A01	1	18	Motor Assembly- 1.5 HP	850-0213	1
2	Screw	27-2930	4	-	Motor Assembly- 2.0 HP	850-0215	1
3	Flatwasher	28-0001	4	-	Motor Assembly- 4.0 HP	850-0216	1
4	Bracket	20-0422A01	1	19	Key	43-0072	1
5	Garden Hose Swivel	23-0095	1	20	Elbow	23-0014	1
6	Gasket	19-0001	1	21	Pressure Switch	22-0171	1
7	Bolt	27-9524	2	22	Pump Assembly- 1500 PSI	3-0071	1
8	Hose Barb	23-0005	1	-	Pump Assembly- 2000 PSI	3-0168	1
9	Hose *(Two Feet Required)	15-0007	1	23	Washer	29-0155	4
10	Hose Barb	23-0140	1	24	Bolt	27-0118	4
11	Elbow	23-0307	2	25	Unloader Valve	8-0470	1
12	Float Valve Assembly	22-0129	1	26	Heat Dump Valve	22-0213	1
13	Float Tank Lid	62-0103	1	27	Hose Barb	23-0052	1
14	Float Tank Assembly	12-0055	1	28	Detergent Hose *(One Foot Required)	15-0021	1
15	Hex Nut	23-0138	1	29	Hose Assembly	15-0174	1
16	O-ring	25-0427	1	30	Elbow	23-0050	1
17	Hose Barb for 1502	23-0318	1	31	Clamp	42-0011	1
-	Hose Barb for 2003	23-0322	1	*Must Order in One Foot Lengths			

MOTOR (850-0213, 850-0215, 850-0216)

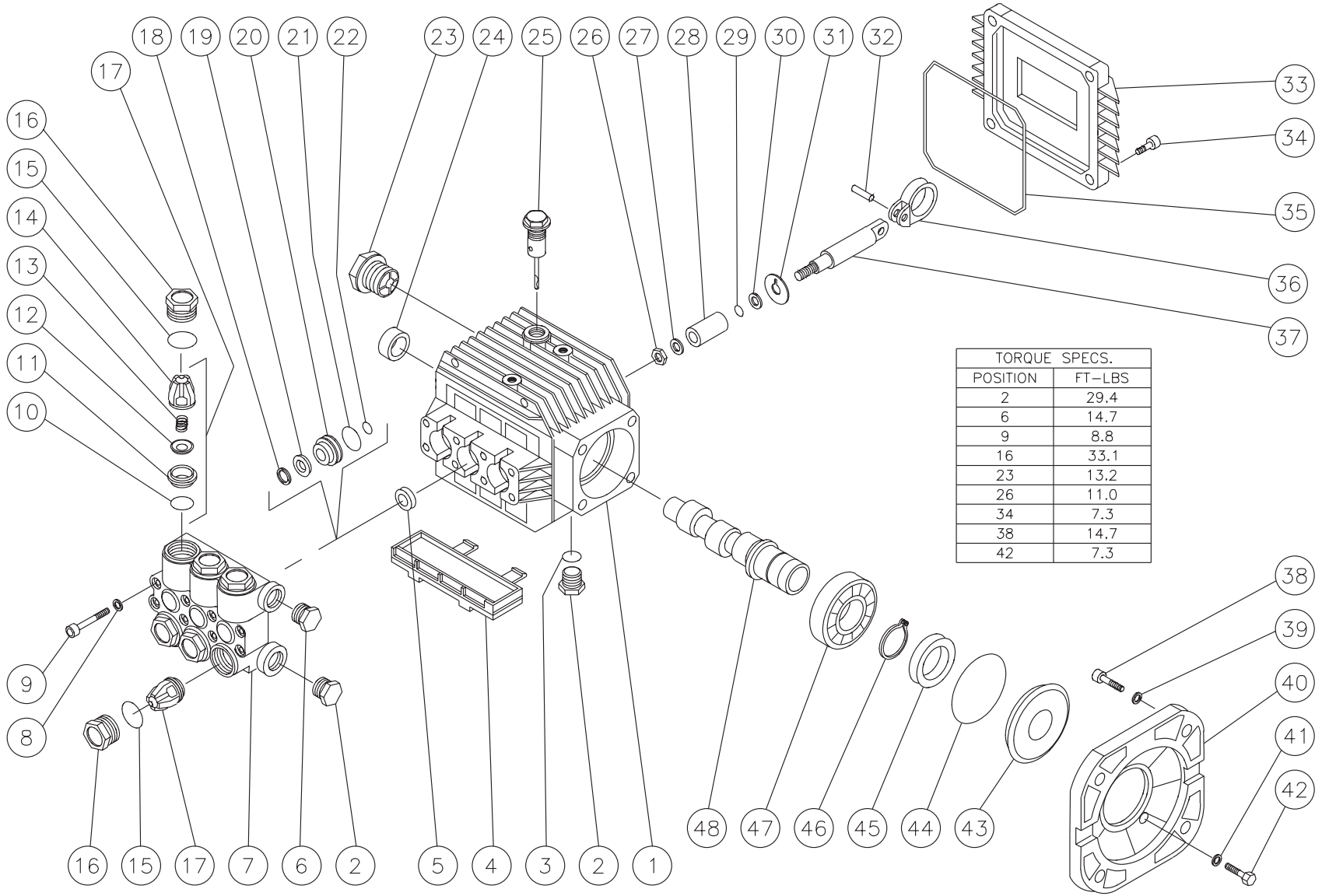


CAPACITOR TERMINAL ASSEMBLY



MOTOR (850-0213, 850-0215, 850-0216)			
REF.	DESCRIPTION	PART #	QTY.
1	Screw	27-8389	8
2	Motor Box	52-0041	1
3	O-ring	25-0338	1
4	Terminal	32-0451	2
5	Circuit Breaker 20 Amp (HSE-1002-0M10)	32-0438	1
-	Circuit Breaker 25 Amp (HSE-1502/2003-0M10)	32-0439	1
6	Terminal Spade	32-0221	1
7	Crimp Splice	32-0359	1
8	Capacitor-Start 1.5 w/Motor (HSE-1002-0M10)	32-0411	1
-	Capacitor-Start 2.0 w/Motor (HSE-1502-0M10)	32-0412	1
-	Capacitor-Start 4.0 w/Motor (HSE-2003-0M10)	32-0449	1
9	Capacitor-Run 1.5 & 2.0 HP w/Motor (HSE-1002/1502-0M10)	32-0413	1
-	Capacitor-Run 4.0 HP w/Motor (HSE-2003-0M10)	32-0450	1
10	Terminal-Fork	32-0034	1
11	Rubber Boot	32-0441	1
12	Strain Relief	32-0437	1
13	Cord *(Two Feet Required)	32-0440	1
14	Motor Box Strap	52-0042	1
15	Motor	N/A	1
	Motor Assembly Complete-1.5 HP (HSE-1002-0M10)	850-0213	
	Motor Assembly Complete-2.0 HP (HSE-1502-0M10)	850-0215	
	Motor Assembly Complete-4.0 HP (HSE-2003-0M10)	850-0216	
*Must Order in One Foot Lengths			

HIGH PRESSURE PUMP (3-0071 & 3-0168)



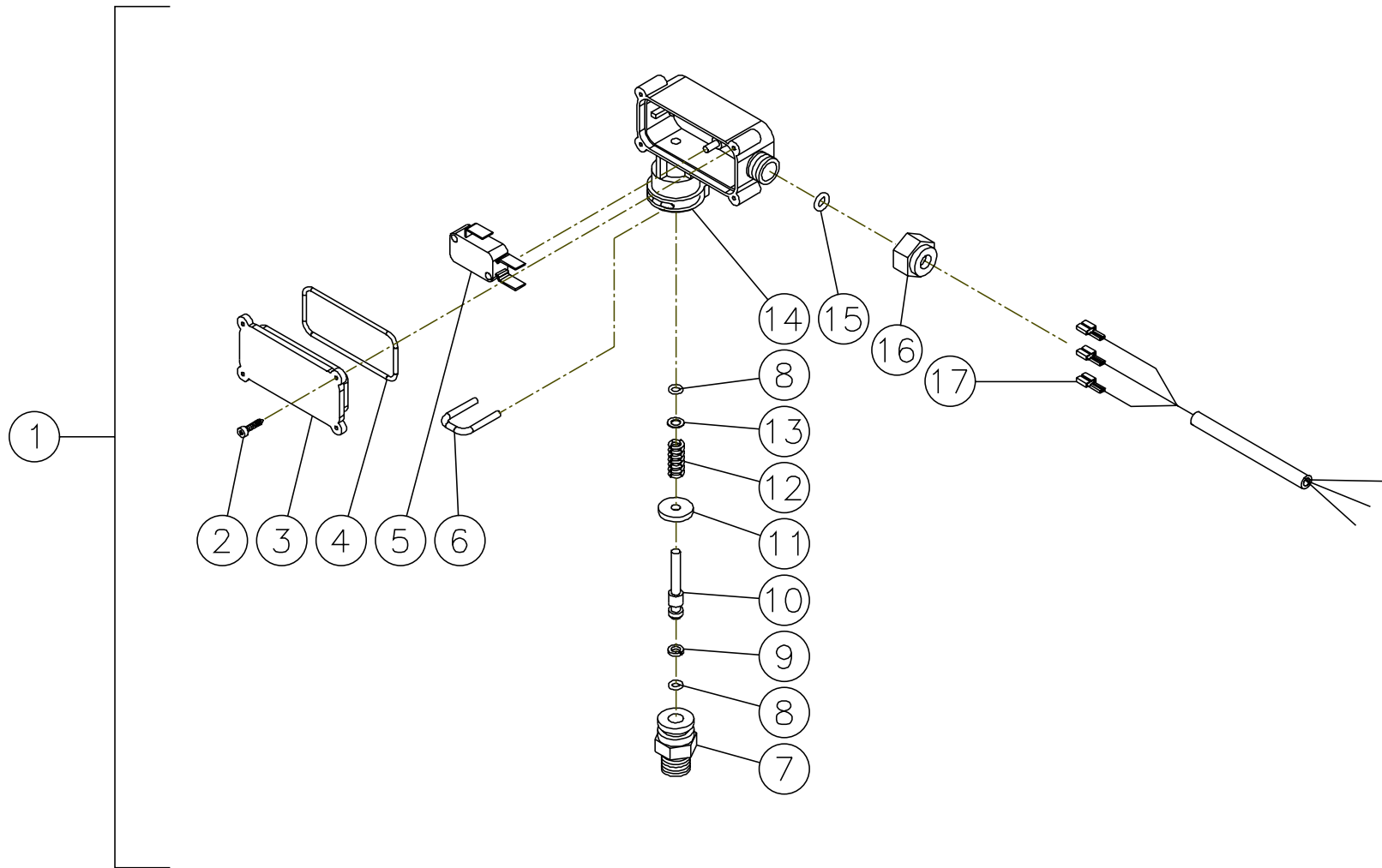
3-0071-060800-RD

PUMP ASSEMBLY (3-0071 & 3-0168)							
REF. #	DESCRIPTION	PART #	QTY.	REF. #	DESCRIPTION	PART #	QTY.
1	Crankcase	46-0221	1	27	Washer	46-0166	3
2	Plug	39-0018	2	28	Plunger- Ceramic	46-0148	3
3	O-ring	25-0052	1	29	O-ring	25-0045	3
4	Drip Pan	46-0229	1	30	Back-up Ring	25-0143	3
5	Oil Seal	26-0111	3	31	Washer	46-0167	3
6	Plug	39-0017	1	32	Connecting Rod	43-0044	3
7	Manifold- Brass	46-0163	1	33	Crankcase Cover	46-0151	1
8	Lockwasher	29-0153	12	34	Bolt	27-8409	4
9	Bolt	27-8406	8	35	Cover O-ring	25-0332	1
10	O-ring (See 70-0009)	N/A Sep.	6	36	Connecting Rod	46-0152	3
11	Valve Seat (See 70-0009)	N/A Sep.	6	37	Piston Guide	46-0149	3
12	Valve Plate (See 70-0009)	N/A Sep.	6	38	Bolt	27-0118	4
13	Valve Spring (See 70-0009)	N/A Sep.	6	39	Lockwasher	29-0155	4
14	Valve Cage (See 70-0009)	N/A Sep.	6	40	Flange	38-0032	1
15	O-ring	25-0012	6	41	Lockwasher	29-0153	4
16	Valve Plug	39-0035	6	42	Bolt	27-8409	4
17	Valve Assembly (Includes 10-14) (See 70-0009)	N/A Sep.	6	43	Bearing Spacer	46-0087	1
18	Head Ring (See 70-0024)	N/A Sep.	3	44	O-ring	25-0060	1
19	V-packing (See 70-0024)	N/A Sep.	3	45	Oil Seal	26-0126	1
20	V-packing Retainer	46-0158	3	46	Snap Ring	46-0245	1
21	O-ring	25-0141	3	47	Ball Bearing	48-0024	1
22	O-ring	25-0128	3	48	Crankshaft (3-0071)	46-0277	1
23	Oil Level Indicator	46-0114	1	-	Crankshaft (3-0168)	46-0233	1
24	Bearing	48-0019	1		Valve Kit (Includes 3 each 10-14, 17)	70-0009	
25	Oil Dip Stick	46-0143	1		V-packing Kit (Includes 3 each 18-19, 21-22)	70-0024	
26	Nut	46-0168	3		V-packing Assembly (Includes 18-22)	70-0023	

UNLOADER (8-0470)

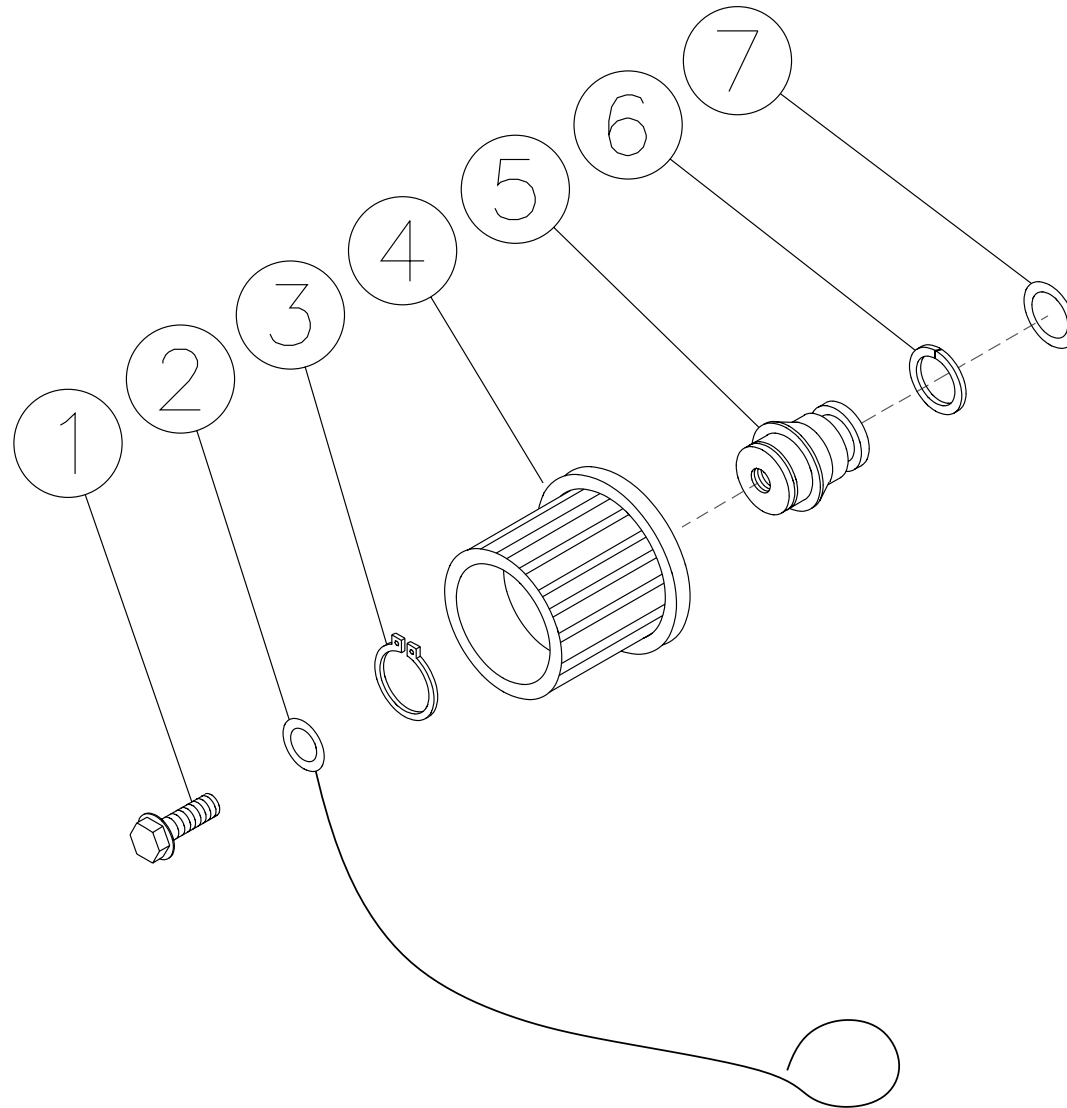
REF. #	DESCRIPTION	PART #	QTY.	REF. #	DESCRIPTION	PART #	QTY.
1	Adjusting Cap	39-0092	1	15	Banjo Connector	23-0286	1
2	Spring	49-0120	1	16	Body	N/A	1
3	Spring Retainer	8-0421	1	17	Valve/Ball Assembly	46-0320	1
4	Piston Stem	46-0324	1	18	Bypass Seat	8-0430	1
5	Back-up Ring	25-0206	1	19	O-ring	25-0202	1
6	O-ring	N/A	1	20	Bypass Fitting	N/A	1
7	Set Screw	8-0479	1	21	O-ring	25-0376	1
8	Locknut	46-0651	1	22	Banjo Connector	23-0285	1
9	Piston Retainer	8-0424	1	23	Bypass Banjo Fitting	N/A	1
10	O-ring	N/A	3	24	O-ring	25-0375	1
11	O-ring	N/A	1	25	Flow Balancer	8-0426	1
12	Back-up Ring	25-0203	1	26	Spring	49-0121	1
13	Washer	8-0433	1	27	Outlet Fitting	39-0091	1
14	Washer	8-0427	3		Unloader Complete (Includes 1-27)	8-0470	

PRESSURE SWITCH (22-0171)



PRESSURE SWITCH (22-0171)			
REF. #	DESCRIPTION	PART #	QTY.
1	Pressure Switch	22-0171	1
2	Screw	N/A	4
3	Cover	N/A	1
4	O-ring (See 70-0306)	N/A Sep.	1
5	Micro Switch	N/A	1
6	Retainer Clip	N/A	1
7	Body	N/A	1
8	O-ring (See 70-0306)	N/A Sep.	2
9	Back-up Ring (See 70-0306)	N/A Sep.	1
10	Piston	N/A	1
11	Washer	N/A	1
12	Spring	49-0144	1
13	Washer	N/A	1
14	Plastic Housing	N/A	1
15	O-ring (See 70-0306)	N/A Sep.	1
16	Nut	N/A	1
17	Wire Assembly	N/A	1
	O-ring Repair Kit (Inc. 4, 8-9, 15)	70-0306	

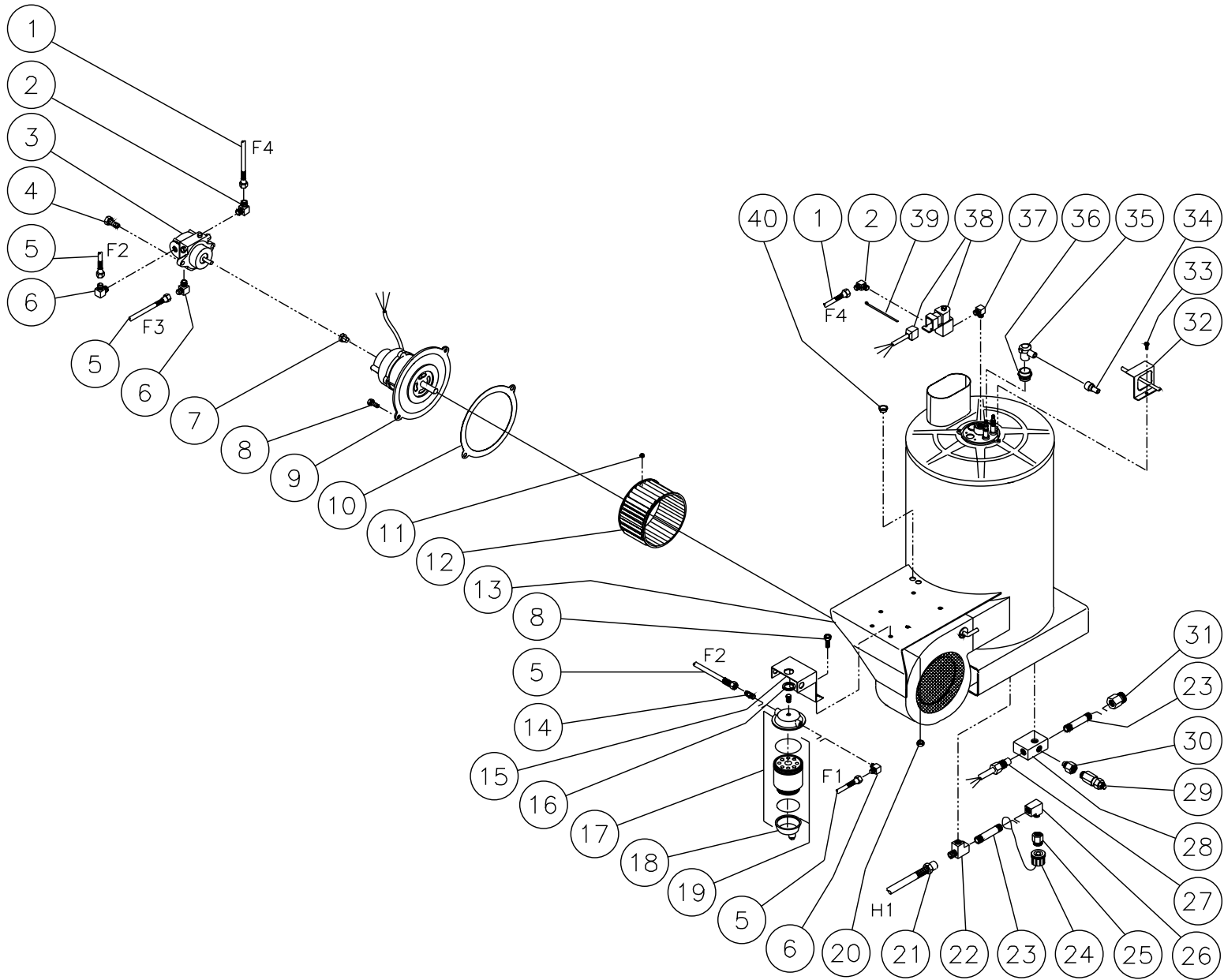
COIL DRAIN PLUG (850-0218)



850-0218-041597-BAR

COIL DRAIN PLUG (850-0218)			
REF. #	DESCRIPTION	PART #	QTY.
1	Bolt	27-9526	1
2	Retaining Cable	33-0260	1
3	Snap Ring	33-0261	1
4	Hand Wheel	16-0239	1
5	Plug	24-0147	1
6	Back-up Ring	25-0424	1
7	O-ring	25-0423	1

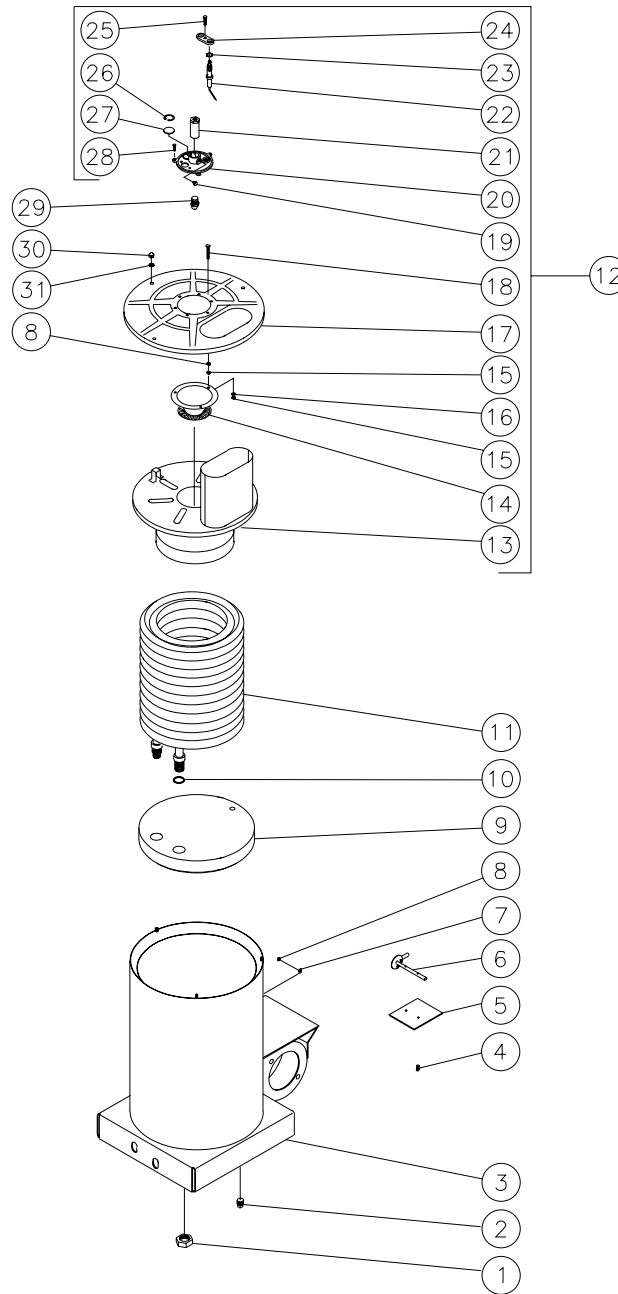
HEAT EXCHANGER/BLOWER MOTOR



OMHSE006-011602-RD

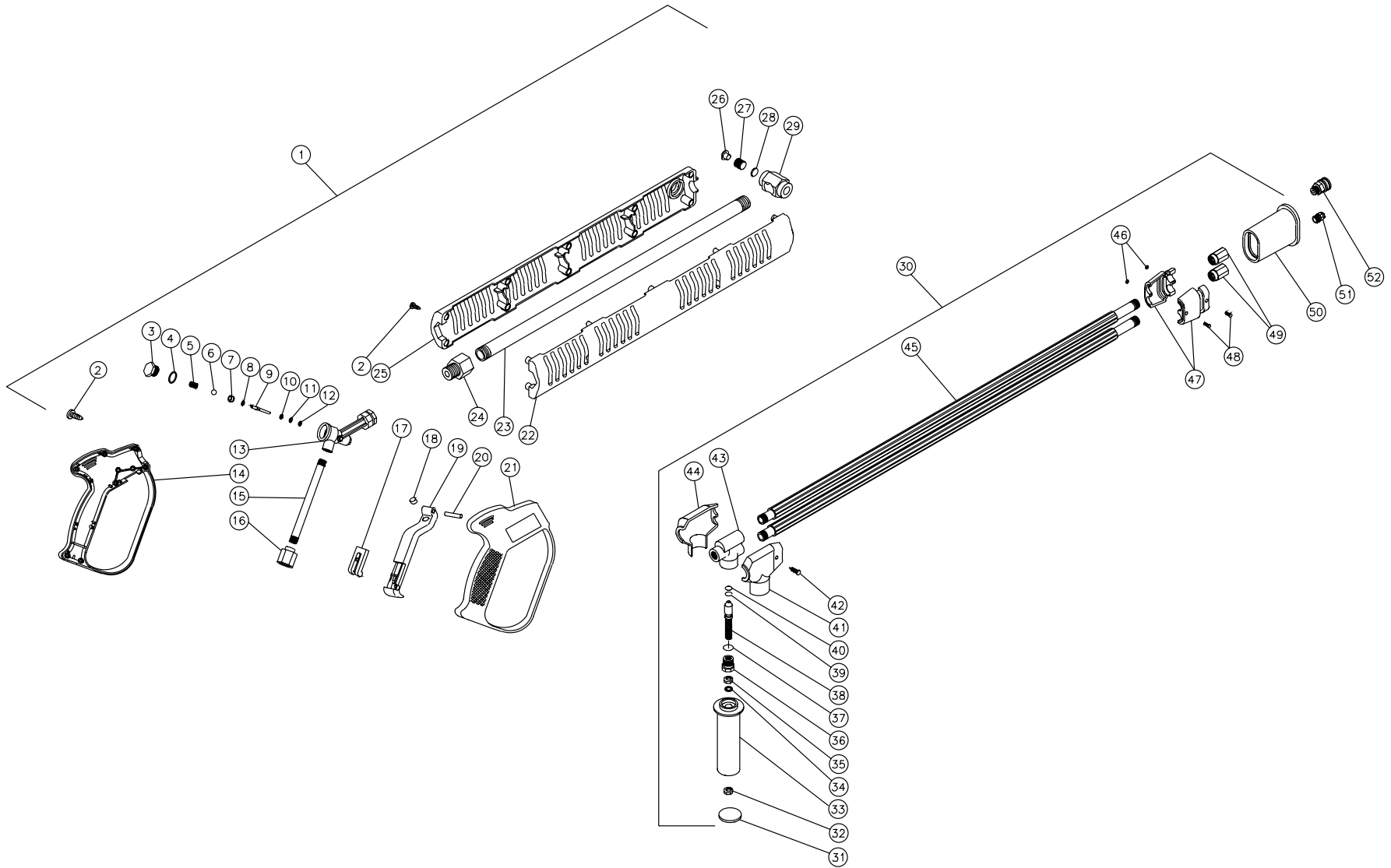
HEAT EXCHANGER/ BLOWER MOTOR							
REF. #	DESCRIPTION	PART #	QTY.	REF. #	DESCRIPTION	PART #	QTY.
1	Fuel Hose Assembly	15-0173	1	21	Hose Assembly- HSE-0 Units	15-0174	1
2	Elbow	23-0287	2	22	Tee	23-0058	1
3	Fuel Pump	3-0020	1	23	Pipe Nipple	24-0141	2
4	Bolt	27-8898	2	24	Coil Drain Plug Assembly	850-0218	1
5	Fuel Hose Assembly	15-0147	3	25	Adapter	23-0279	1
6	Elbow	23-0237	3	26	Elbow	23-0034	1
7	Fuel Pump Flex Coupler	33-0265	1	27	High Limit Temp. Switch 120V	32-0423	1
8	Bolt	27-9524	4	-	High Limit Temp. Switch 240V	32-0421	1
9	Blower Motor-120 Volt	2-0085	1	28	Coil Outlet Block	24-0138	1
-	Blower Motor-240 Volt	2-0086	1	29	Pressure Relief Valve	22-0272	1
10	Shim	20-0460A01	1	30	Adapter	23-0369	1
11	Set Screw	30-3031	1	31	Adapter	23-0197	1
12	Blower Fan	44-0103	1	32	Electrode Bracket	20-0417A01	1
13	Boiler Assembly	850-0212	1	33	Screw	27-8803	3
14	Male Connector	23-0247	1	34	Insulator	32-0375	2
15	Fuel Water Separator Bracket	20-0416A01	1	35	Electrode Connector Cap	44-0083	2
16	Gasket	26-0001	1	36	Electrode Boot	32-0418	2
17	Fuel Water Separator	19-0070	1	37	Elbow	23-0249	1
18	Fuel Water Separator Bowl	19-0071	1	38	Fuel Solenoid- 120V	44-0101	1
19	Fuel Water Separator Strainer	19-0053	1	39	Cable Tie	33-0022	1
20	Hex Nut	30-3023	2	40	Bushing	9-0028	2

BOILER ASSEMBLY (850-0212)



BOILER ASSEMBLY (850-0212)								
REF. #	DESCRIPTION	PART #	QTY.		REF. #	DESCRIPTION	PART #	QTY.
1	Hex Nut	30-0121	2		18	Bolt	27-8806	3
2	Plug	24-0034	1		19	Bolt	27-8805	1
3	Heat Exchanger Outer Wrap	20-0404A01	1		20	Support Plate	33-0183	1
4	Bolt Hex Head	27-8879	2		21	Nozzle Holder	33-0182	1
5	Air Diverter Plate	20-0378A01	1		22	Electrode	32-0377	2
6	Air Diverter Stem Assembly	20-0377A01	1		23	Washer	28-1007	2
7	Lockwasher	28-1009	1		24	Electrode Mounting Plate	33-0180	1
8	Nut	30-6001	4		25	Bolt	27-8807	1
9	Bottom Insulation	33-0267	1		26	Snap Ring	25-0290	1
10	Washer	28-0521	2		27	Sight Glass	33-0179	1
11	Heat Exchanger Coil Assembly	66-0009	1		28	Bolt	27-8803	3
12	Pan Assembly (Includes 13-28)	70-0184	1		29	Fuel Nozzle (HSE-1002/ 1502)	18-0268	1
13	Exhaust Pan	20-0324	1		-	Fuel Nozzle (HSE-2003)	18-0310	1
14	Heat Deflector	20-0325	1		30	Acorn Nut	30-6002	3
15	Nut	30-6001	6		31	Star Washer	28-1028	3
16	Lockwasher	28-1009	3			Boiler Assembly (Inc. 1-28, 30, 31)	850-0212	
17	Top Pan	20-0323	1					

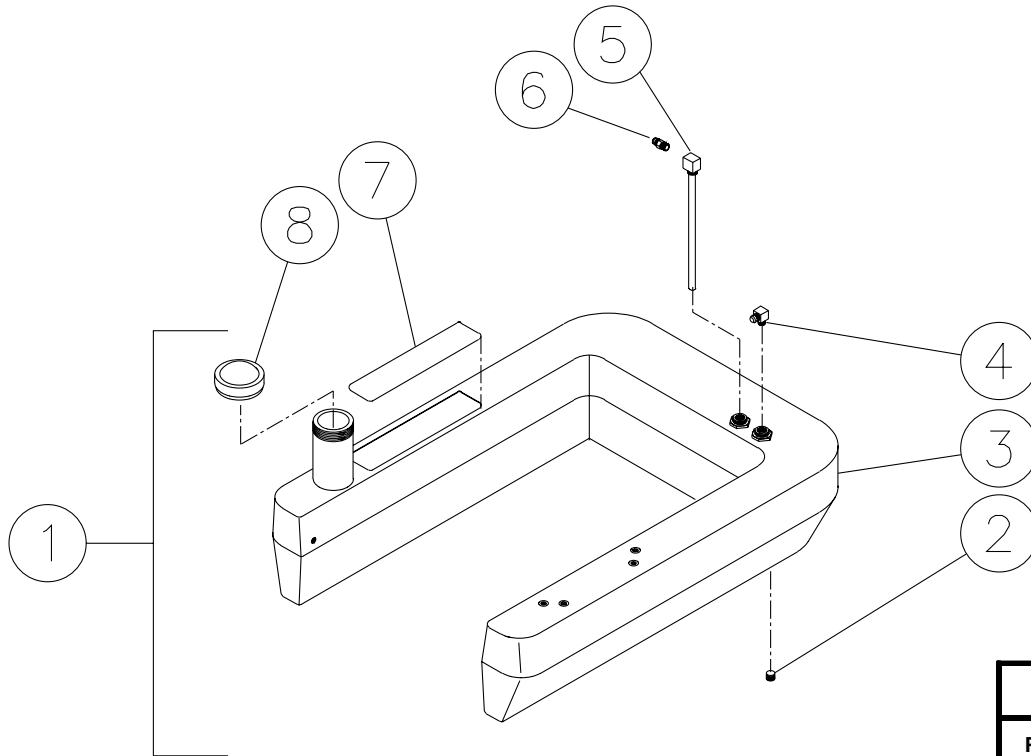
GUN/WAND (850-0179) & ADJUSTABLE PRESSURE DUAL LANCE (850-0185)



850-0179-111401-RD

GUN/WAND (850-0179) & ADJUSTABLE PRESSURE DUAL LANCE (850-0185)											
REF. #	DESCRIPTION	PART #	QTY.	REF. #	DESCRIPTION	PART #	QTY.	REF. #	DESCRIPTION	PART #	QTY.
1	Gun w/Lance Assembly (Inc. 2-29)	850-0179	1	20	Trigger Pin	43-0069	1	39	Back-up Ring	25-0352	1
2	Screw	27-8382	13	21	Plastic Housing (Right Side)	16-0334	1	40	O-ring	25-0353	1
3	Plug (See 70-0057)	N/A Sep.	1	22	Guard Lance (Right Side) (See 70-0324)	N/A Sep.	1	41	Upper Protector	16-0315	1
4	O-ring (See 70-0057)	N/A Sep.	1	23	Pipe	16-0277	1	42	Screw	27-8862	1
5	Spring (See 70-0057)	N/A Sep.	1	24	Adapter	16-0283	1	43	Body	23-0272	1
6	Ball (See 70-0057)	N/A Sep.	1	25	Guard Lance (Left Side) (See 70-0324)	N/A Sep.	1	44	Lower Protector	16-0316	1
7	Seat (See 70-0057)	N/A Sep.	1	26	Plug	39-0076	1	45	Lance w/Protective Cover	16-0328	2
8	O-ring (See 70-0057)	N/A Sep.	1	27	Screw	49-0103	1	46	Hex Nut	30-3060	2
9	Pin (See 70-0057)	N/A Sep.	1	28	Spacer	16-0282	1	47	Pipe Clamp	16-0318	2
10	Washer (See 70-0057)	N/A Sep.	1	29	Lance Holder (See 850-0179)	N/A Sep.	1	48	Screw	27-8861	2
11	O-ring (See 70-0057)	N/A Sep.	1	30	Adjustable Dual Lance Assembly (Includes 31-50)	850-0185	1	49	Nipple	24-0127	2
12	Back-up Ring (See 70-0057)	N/A Sep.	1	31	Handle Plug	16-0312	1	50	Nozzle Protector	16-0319	1
13	Housing	23-0295	1	32	Hex Nut	30-3002	1	51	Nozzle-4060	18-0110	1
14	Plastic Housing (Left Side)	16-0336	1	33	Handle	16-0313	1	52	Quick Connection Fitting	N/A	-
15	Pipe	21-0095	1	34	Washer	28-1021	1		Gun Repair Kit (Includes 3-12)	70-0057	
16	Nipple	23-0174	1	35	Hex Nut	30-3010	1		O-ring Kit (Includes 37, 39, 40)	70-0143	
17	Trigger Safety Lock	16-0332	1	36	Hex Adapter	23-0271	1		Plastic Housing Kit (Includes 2, 22, 25, 26)	70-0324	
18	Trigger Rest	16-0333	1	37	O-ring	25-0351	1				
19	Trigger	16-0335	1	38	Piston Stem	16-0314	1				

FUEL TANK (850-0214)



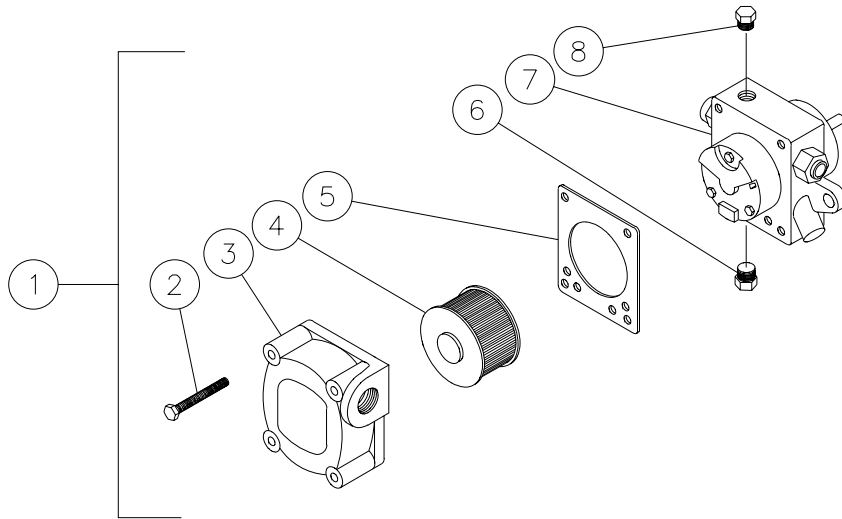
850-0214-121797-BAR

FUEL TANK (850-0214)			
REF. #	DESCRIPTION	PART #	QTY.
1	Fuel Tank Assembly (Inc. 2-8)	850-0214	1
2	Plug	23-0296	1
3	Fuel Tank (See 850-0214)	N/A Sep.	1
4	Elbow	23-0237	1
5	Fuel Pick-up Line	33-0270	1
6	Flare	23-0247	1
7	Decal-Warning-Risk of Fire (E/S) (See 34-9012)	N/A Sep.	1
8	Vented Fuel Cap	12-0033	1
	Safety Decal Kit (Includes 7)	34-9012	

850-0214-121797-BAR

FUEL PUMP (3-0020)

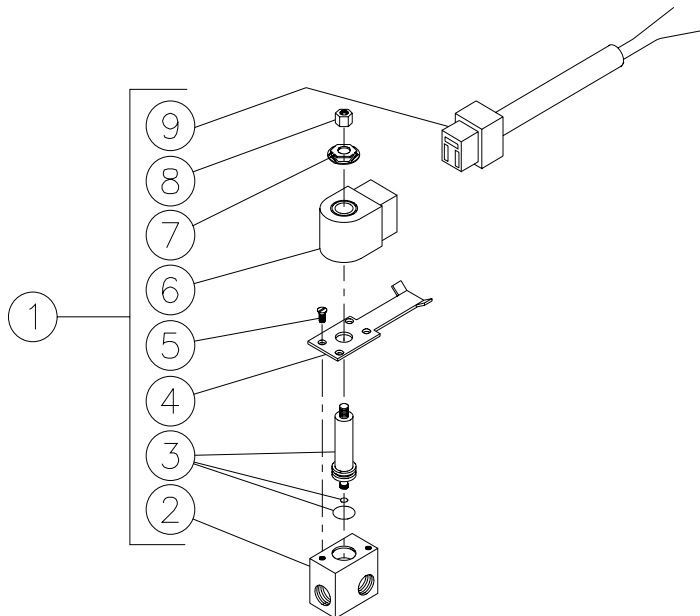
0MHSP018A-041597-BAR



FUEL PUMP (3-0020)			
REF. #	DESCRIPTION	PART #	QTY.
1	Fuel Pump Complete - Right Hand	3-0020	1
2	Cover Screw	46-1006	4
3	Cover-Right Hand	46-1005	1
4	Strainer	19-0034	1
5	Cover Gasket	26-0109	1
6	Plug	24-0044	3
7	Body	N/A	1
8	Plug	24-0082	1

FUEL SOLENOID (44-0101)

0MHSP013-44-0101-121698-BAR

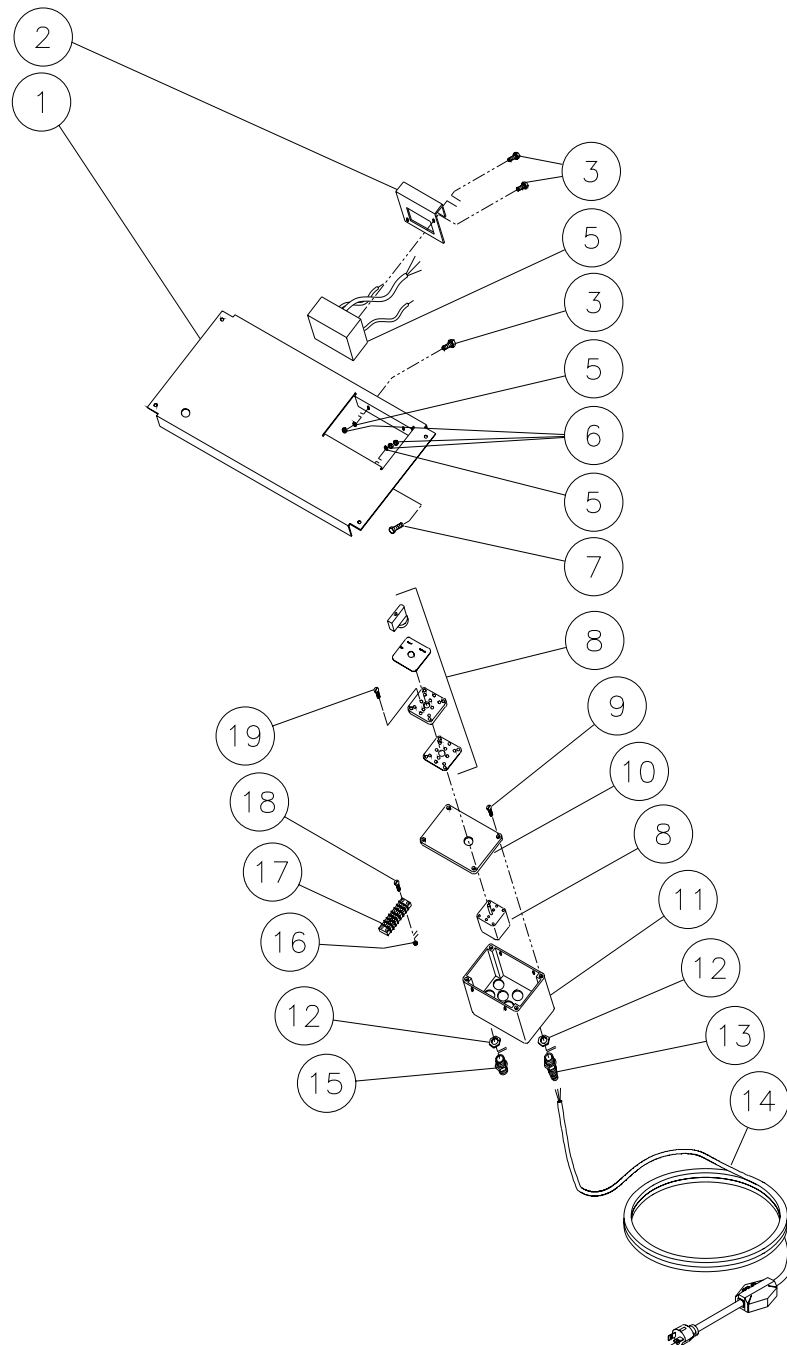


FUEL SOLENOID (44-0101)			
REF. #	DESCRIPTION	PART #	QTY.
1	Solenoid Complete-120V	44-0101	1
2	Solenoid Body	46-1013	1
3	Solenoid Piston	46-1012	1
4	Solenoid Base	46-1014	1
5	Screw (See 44-0101)	N/A Sep.	2
6	Solenoid Coil-120V	46-1020	1
7	Spring (See 44-0101)	N/A Sep.	1
8	Piston Nut	46-1016	1
9	Din Connector Cord	32-0443	1

0MHSP018-041597-BAR

0MHSP013-041597-BAR

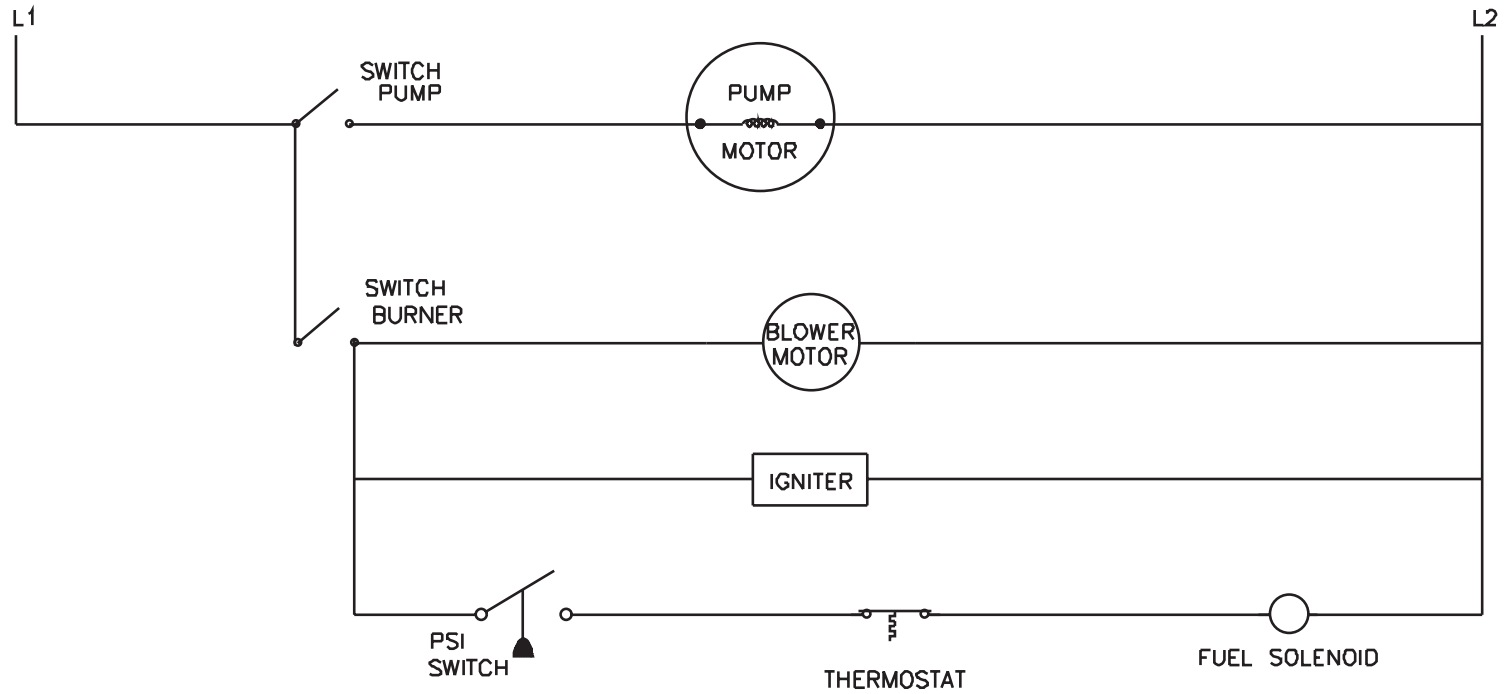
CONTROL PANEL FOR HSE-1002/1502



CONTROL PANEL FOR HSE-1002/1502			
REF. #	DESCRIPTION	PART #	QTY.
1	Control Panel	20-0405A01	1
2	Igniter Bracket	20-0414A01	1
3	Bolt	27-9526	7
4	Igniter	44-0104	1
5	Washer	28-1009	4
6	Hex Nut	30-6001	5
7	Bolt	27-8807	1
8	Cam Switch (HSE-1002)	32-0434	1
-	Cam Switch (HSE-1502)	32-0679	1
9	Hardware Kit	70-0197	1
10	Lid	32-0433A01	1
11	Electric Box	32-0432A01	1
12	Locknut	32-0108	7
13	Strain Relief	32-0407	1
14	Electrical Cord w/GFCI (HSE-1002)	32-0268	1
-	Electrical Cord w/GFCI (HSE-1502)	32-0215	1
15	Strain Relief	32-0437	6
16	Hex Nut	30-0137	2
17	Terminal Strip	32-0436	1
18	Bolt	27-8861	2
19	Screw	27-8897	2

CONTROL PANEL FOR HSE-2003			
REF. #	DESCRIPTION	PART #	QTY.
1	Control Panel	20-0588A01	1
2	Hex Nut	30-0137	8
3	Washer	28-1009	12
4	Igniter- 240 Volt	850-0223	1
5	Bolt	27-8899	4
6	Bolt	27-9526	5
7	Igniter Bracket- 240 Volt	20-0418A01	1
8	Strain Relief	32-0437	6
9	Locknut	32-0108	7
10	Electric Box Assembly	32-0703	1
11	Bolt	27-8807	2
12	Terminal Strip	32-0436	1
13	Bolt	27-8861	4
14	Cam Switch	32-0435	1
15	Screw	27-8897	2
16	Fuse Holder	32-0710	1
17	Fuse	32-0711	1
18	Transformer	32-0704	1
19	Hex Nut	30-6001	6
20	Strain Relief	32-0358	1
21	Electric Cord w/ GFCI	32-0333	1

WIRE SCHEMATIC FOR HSE-1002/1502-0M10

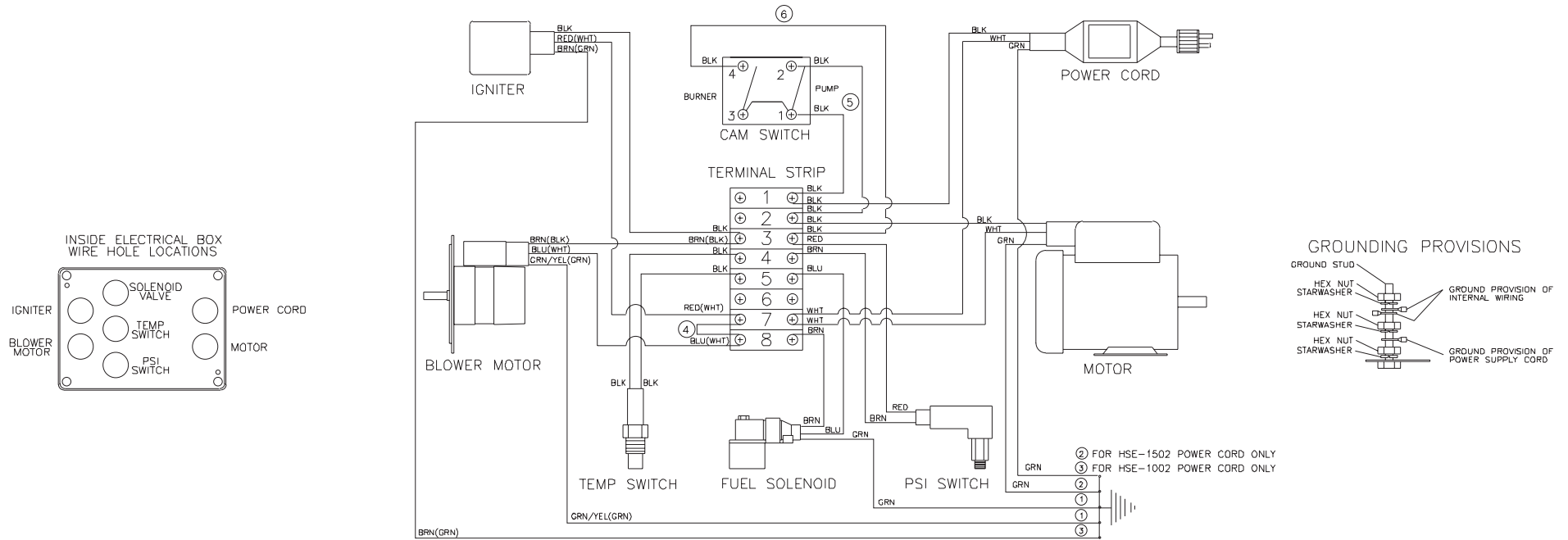


OMHSE09S-041602-KZ

WIRING SCHEMATIC	
REF. #	DESCRIPTION
L1	Power (Black)
L2	Power (White)
M1	Pump Motor- 120 Volt
M2	Blower Motor-120 Volt
SW2	Pressure Switch
SW3	Temp Switch
FS1	Fuel Solenoid-120 Volt
IG1	Igniter-120 Volt

OMHSE09S-041602-KZ

WIRE DIAGRAM FOR HSE-1002/1502-0M10



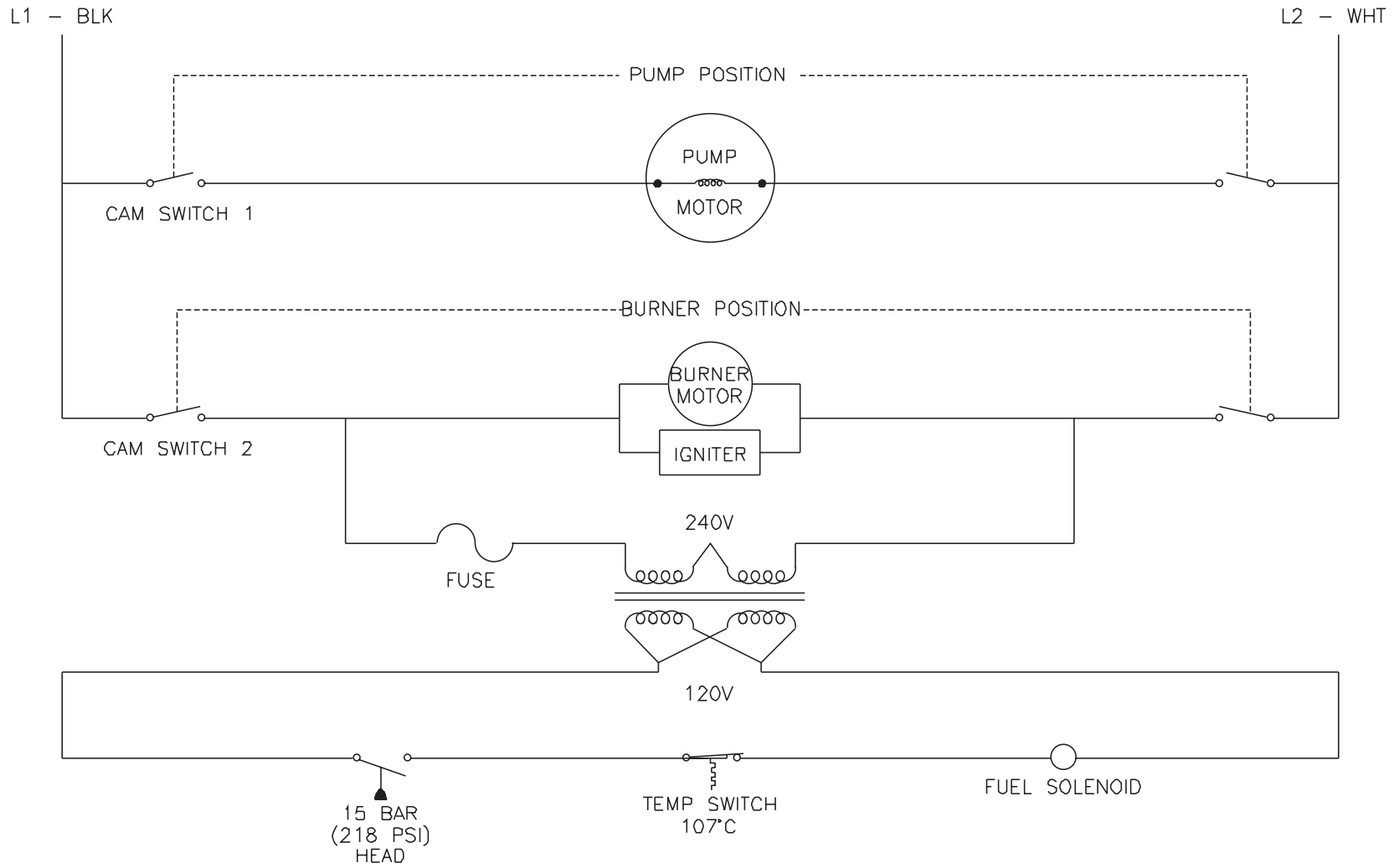
WIRE DIAGRAM

OMHSE09D-041602-KZ

WIRING DIAGRAM				
REF. #	DESCRIPTION	PART #	1002 QTY.	1502 QTY.
1	Ring Terminal-Red	32-0446	2	2
2	Ring Terminal-Yellow	32-0002	1	2
3	Ring Terminal-Blue	32-0044	2	1
4	Jumper Clip	32-0453	1	1
5	#12 Black Wire *(Two Feet Required)	32-0091	1	1
6	#16 Black Wire *(One Foot Required)	32-0256	1	1
*Must Order in One Foot Lengths				

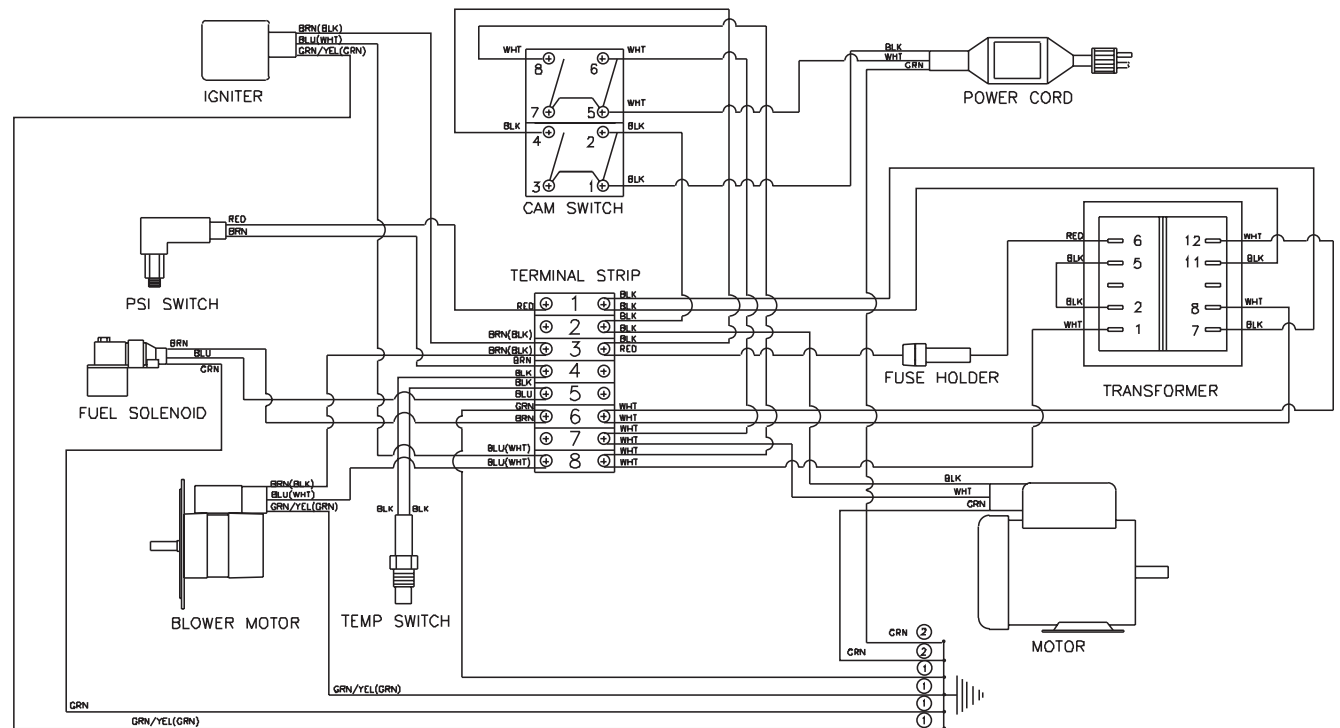
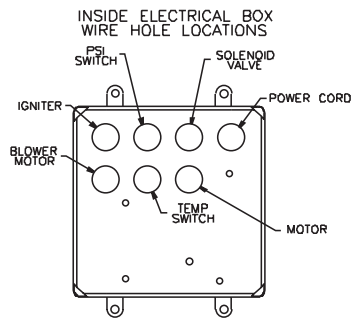
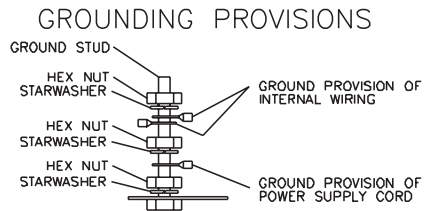
OMHSE09D-041602-KZ

WIRE SCHEMATIC FOR HSE-2003-0M10



OMHSE10S-020601-BAR

WIRE DIAGRAM FOR HSE-2003-0M10



OMHSE010D-020601-BAR

WIRING DIAGRAM			
REF. #	DESCRIPTION	PART #	QTY.
1	Ring Terminal-Red	32-0446	3
2	Ring Terminal-Yellow	32-0002	2

OMHSE010D-020601-BAR

